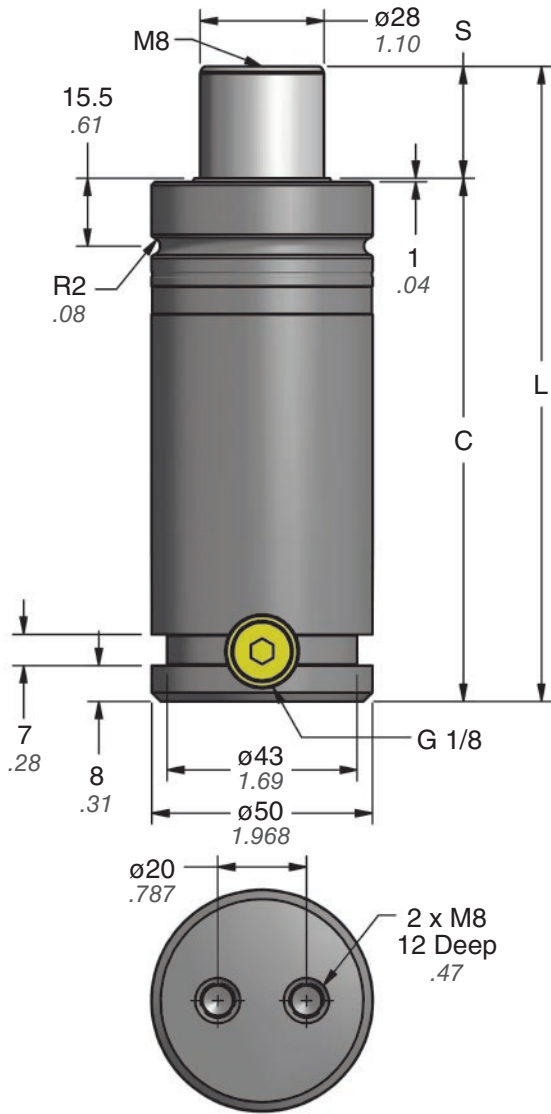


Ultra Force Extended™
Nitrogen Gas Springs

UX.1000 – 9.2 kN / 1.0 ton

New!



TO – Basic Model

Part No.	S mm inch	C	L ±0.25 ±.010
• UX.1000.025	25 0.98	118 4.65	143 5.630
• UX.1000.038	37.5 1.48	130.5 5.14	168 6.614
• UX.1000.050	50 1.97	143 5.63	193 7.598
UX.1000.063	62.5 2.46	155.5 6.12	218 8.583
UX.1000.075	75 2.95	168 6.61	243 9.567
• UX.1000.080	80 3.15	173 6.81	253 9.961
• UX.1000.100	100 3.94	193 7.60	293 11.535
• UX.1000.125	125 4.92	218 8.58	343 13.504
UX.1000.150	150 5.91	243 9.57	393 15.472
• UX.1000.160	160 6.30	253 9.96	413 16.260
UX.1000.175	175 6.89	268 10.55	443 17.441
UX.1000.200	200 7.87	293 11.54	493 19.409

• Preferred Sizes

Ordering Example:

UX.1000.025. TO. C. 150

Part Number: Includes Series, Model and Stroke Length.

Mount Option: TO = Basic Model. When not specified, default is TO. Mounts ordered with cylinder will be attached at the factory.

Mount Only Ordering Example: 90.21.00750

Charging Pressure: 15–150 bar (220–2175 psi). When not specified, default is 150 bar.

Operating System: C = Self-contained, F = Open Flow Fitting. When not specified, default is C, self-contained.

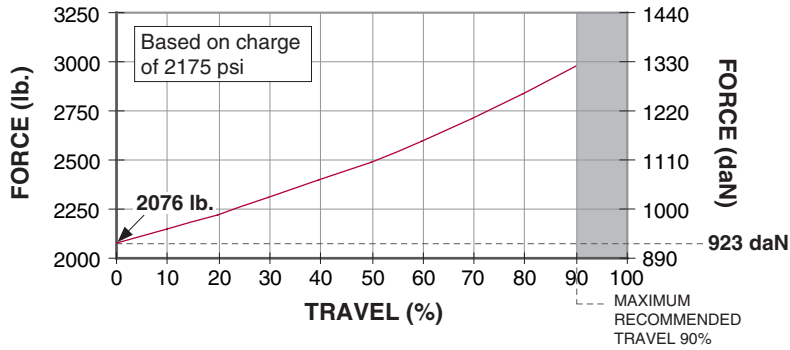
B08136

UX.1000 Nitrogen Gas Springs

Force Charts

On-Contact Force

psi	lb.
2175	2076
2000	1909
1750	1670
1500	1432
1000	954
500	477
250	239



On-Contact Force

bar	daN
150	923
125	769
100	616
75	462
50	308
25	154
20	123

Mount Options

TFM **Welded**

TSW **Welded**

B11 **90.11.00750**

B12 **90.12.00750**

B21 **90.21.00750**

B25 **90.25.00750**

B26 **90.26.00750**

DADCO offers a wide variety of mounts. If the mounts above are not suitable for the application, contact DADCO.

Refer to catalog C07105A for more specifications and a complete list of **Ultra Force Extended™** gas springs.



43850 Plymouth Oaks Blvd • Plymouth, MI • 48170 • USA
734.207.1100 • fax 734.207.2222 • 800.323.2687 • www.dadco.net